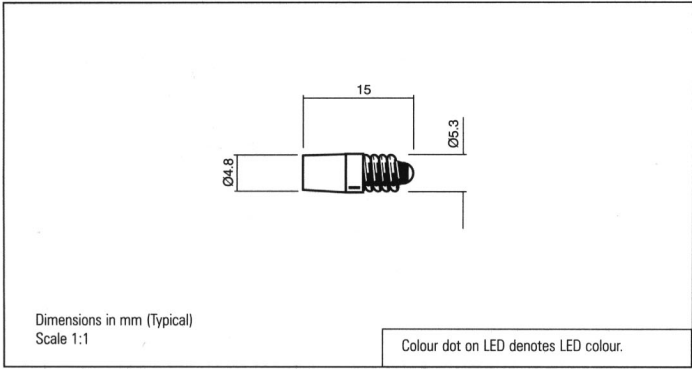
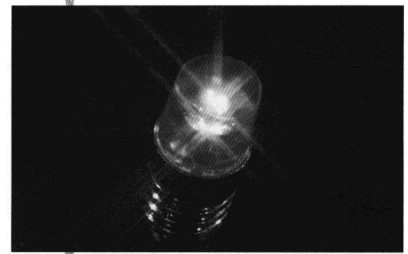


**FILAMENT REPLACEMENT LEDs - T1<sup>3/4</sup>**



- Direct Replacement for T1<sup>3/4</sup> LES E5
- Reverse polarity options
- Centre contact, anode as standard



**212 SERIES**  
**MLQ = 20**



Ordering Information & Typical Technical Characteristics (Ta = 25°C)  
Mean Time Between Failure = 100,000 Hours. Luminous intensity figures refer to the unmodified discrete LED.

| PART NUMBER           | COLOUR | LENS        | VOLTAGE DC Vopr | CURRENT DC Iopr | LUMINOUS INTENSITY Iv@20mA | WAVE LENGTH λp | VIEWING ANGLE | OPERATING TEMP Topr | STORAGE TEMP Tstg |
|-----------------------|--------|-------------|-----------------|-----------------|----------------------------|----------------|---------------|---------------------|-------------------|
| <b>HIGH INTENSITY</b> |        |             |                 |                 |                            |                |               |                     |                   |
| 212-501-04-38         | Red    | Water Clear | 1.9*            | 20              | 2750                       | 660            | Wide          | -40~+80             | -40~+80           |
| 212-521-04-38         | Yellow |             | 2.1*            | 20              | 4500                       | 590            |               |                     |                   |
| 212-532-04-38         | Green  |             | 3.4*            | 20              | 6000                       | 525            |               |                     |                   |
| 212-930-04-38         | Blue   |             | 3.4*            | 20              | 2000                       | 470            |               |                     |                   |
| 212-997-04-38         | White  |             | 3.4*            | 20              | 3000                       | •              |               |                     |                   |
| 212-501-20-38         | Red    |             | 5/6             | 16              | 2750                       | 660            |               |                     |                   |
| 212-521-20-38         | Yellow |             | 5/6             | 15              | 4500                       | 590            |               |                     |                   |
| 212-532-20-38         | Green  |             | 5/6             | 14              | 6000                       | 525            |               |                     |                   |
| 212-930-20-38         | Blue   |             | 5/6             | 14              | 2000                       | 470            |               |                     |                   |
| 212-997-20-38         | White  |             | 5/6             | 14              | 3000                       | •              |               |                     |                   |
| 212-501-21-38         | Red    |             | 12              | 20              | 2750                       | 660            |               |                     |                   |
| 212-521-21-38         | Yellow |             | 12              | 20              | 4500                       | 590            |               |                     |                   |
| 212-532-21-38         | Green  |             | 12              | 20              | 6000                       | 525            |               |                     |                   |
| 212-930-21-38         | Blue   |             | 12              | 20              | 2000                       | 470            |               |                     |                   |
| 212-997-21-38         | White  |             | 12              | 20              | 3000                       | •              |               |                     |                   |
| <b>UNITS</b>          |        |             |                 | <b>Vdc</b>      | <b>mA</b>                  | <b>mcd</b>     |               |                     |                   |

\* = Voltage DC for 20mA product is Vf@20mA, not Vopr

• = Typical emission colour: x=0.31, y=0.32. Colour temperature 8000K. Intensities (Iv) and colour shades of white (x,y co-ordinates) may vary between LEDs within a batch.

Please note - This product is also available at 24, 28 and 48Vdc. Please contact our Sales department for further details.



ISO 9001: 1994 APPROVED